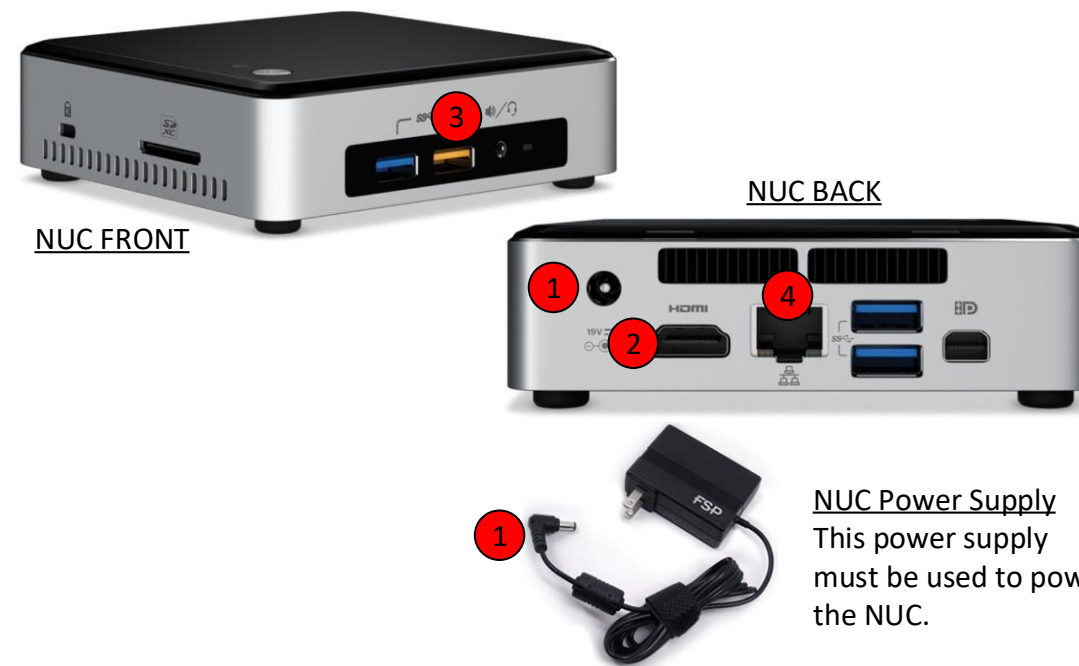
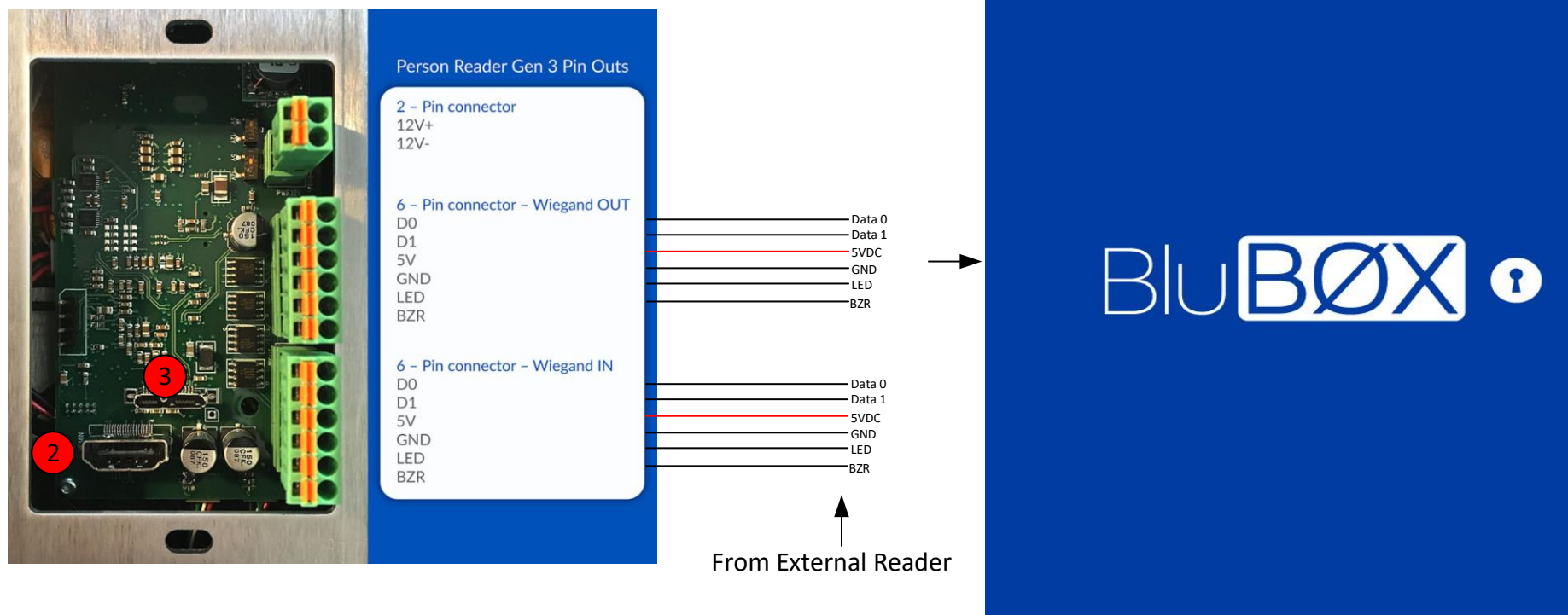
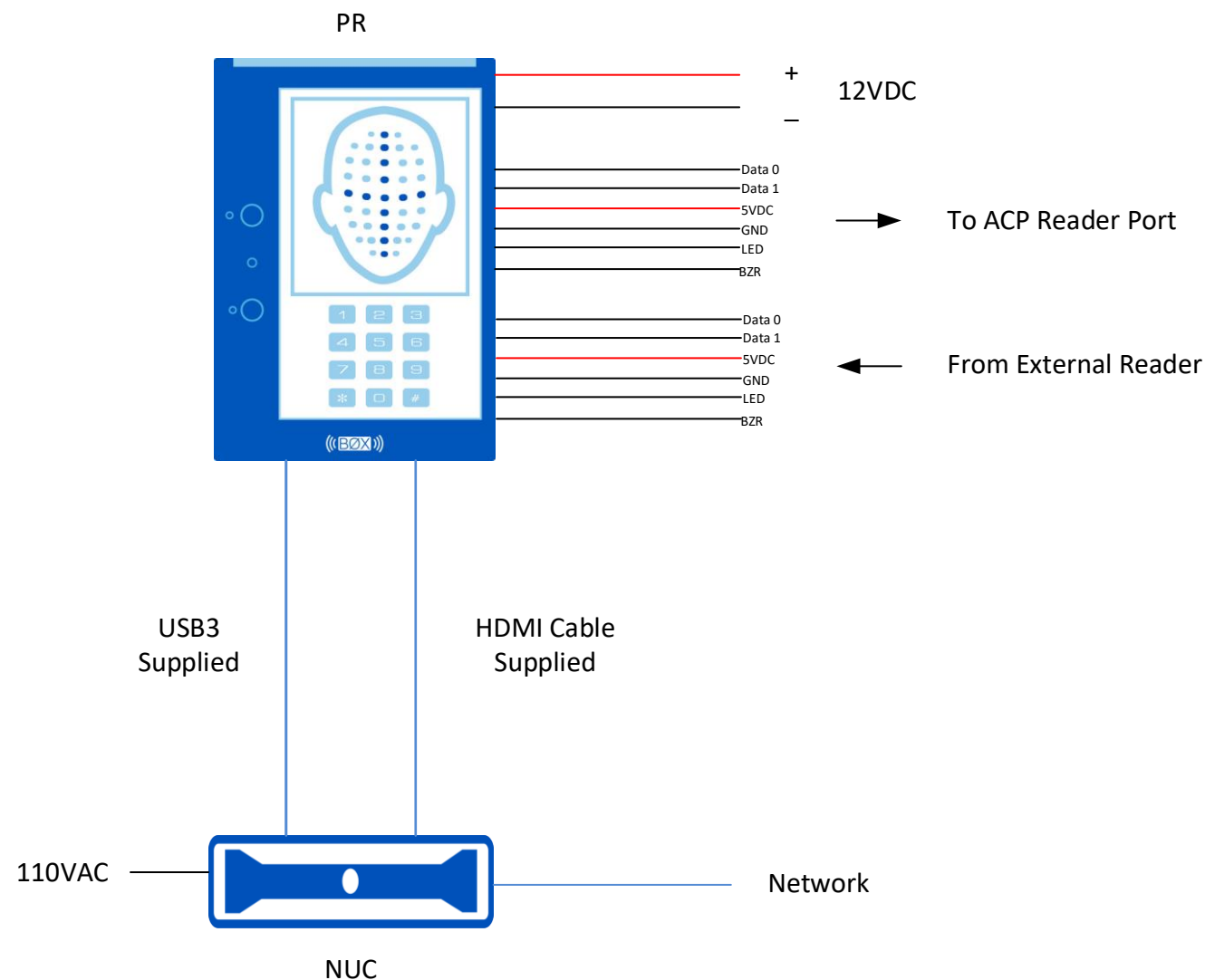


Person Reader V3 Wiring



- 1 NUC power port. Original power supply must be used for proper performance
- 2 HDMI cable connection, between PR and the NUC
- 3 USB 3.0 cable connection, between PR and the NUC
- 4 Network connection