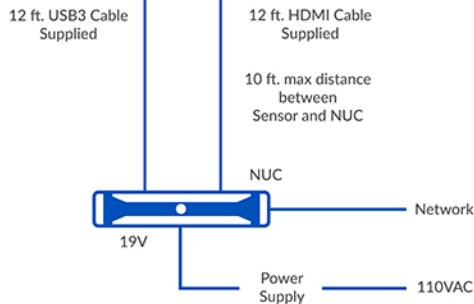
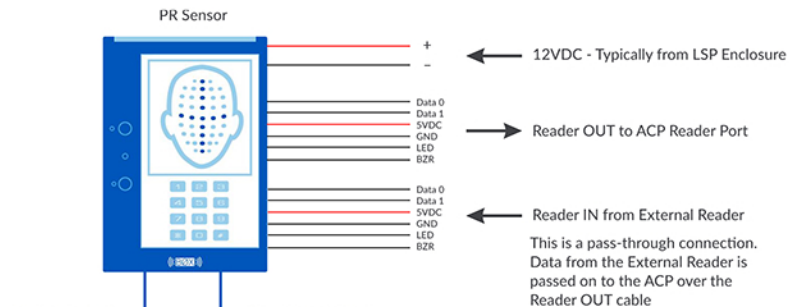
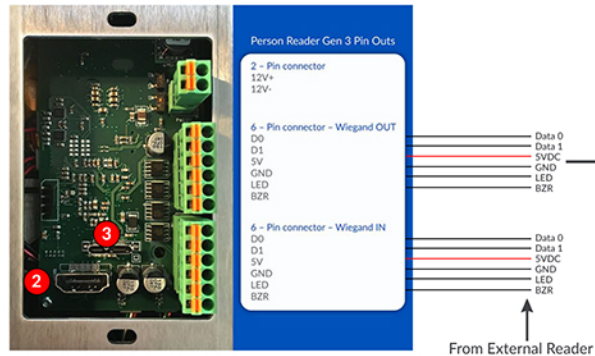


Person Reader Version 3 - Wiring & Installation



It's highly recommended to use the supplied Power Supply.
It can be remoted 50' with an 18AWG cable and 75' with a 16AWG



Person Reader Height above finished floor (AFF)

Optimum height AFF: Center of Camera at 36" to 64" AFF.
Doors: 52" AFF, accommodates touchscreen, intercom & barcode functions.
Turnstiles: 44" AFF, but on a slightly upward-looking angle.

Refer to the Physical Installation Diagrams for more Installation guidelines

- 1 NUC power port. Original power supply must be used for proper performance
- 2 HDMI cable connection, between PR and the NUC
- 3 USB 3.0 cable connection, between PR and the NUC
- 4 Network connection