

The Person Reader Series

The All-In-One Intelligent Readers

The Person Reader is the all-in-one controller, reader, biometric, camera, recorder, intercom and visitor entry device. It is available in five models: PR-S, PR-M3, PR-LT3 & PR-DDE-LT3, PR-XLT3 & PR-DDE-XLT3, PR-2XLT3 & PR-DDE-2XLT3 and supports low and high frequency HID Prox, MiFARE CSN, HID Bluetooth, 2-way stereo audio and SIP communication. It has a 2-D 2 MP color camera and a 3-D IR depth camera.

As a multi-biometric, multi-factor intelligent reader, it can identify a person based on their biometrics, name, card, Bluetooth credential, bar or QR code, PIN and cloud credential. This makes the Person Reader versatile, robust and accurate. It uses two biometrics, face, and voice, for more secure and convenient access. The Person Reader is simple, fast and natural to use. Just look at it, be recognized and admitted. Totally hands-free. There is also no distinctive enrollment procedure. It learns what you look like on your first arrival, and how you change over time.

As an Intercom, the Person Reader is a two-way audio/video communication device. It is SIP-based and can integrate with most intercom systems. It is deeply integrated with BluSKY's Cloud Station which enables the Person Reader to be answered from anywhere, on any device, as well as control the end devices from the same interface.

As a Visitor Entry Device, the Person Reader can be used as a self-check-in visitor station at a door, gate, security desk, reception area or loading dock. Visitors can find their pre-registered record by name, bar or QR code. The Person Reader can read and assign credentials, take photos, and check in and announce visitors. It functions in both attended or unattended modes.

As a Camera, the Person Reader can associate a photo or video with every entry attempt. Future versions will include video streaming to third-party video recorders and video and audio analytics..

Click here to view [Person Reader Videos](#)



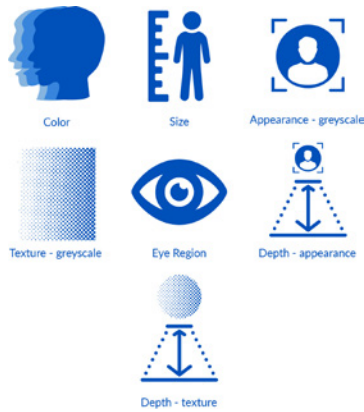
Key Benefits

- Intuitive - looks and works just like a traditional reader
- Low cost - high value
- Ease of use
- Speed
- Privacy
- Robustness
- Deep integration in BluSKY - one record
- Easy to manage
- Proof of presence

Key Features

- All-in-one intelligent reader, intercom, camera and visitor entry device
- Multi-biometric, multi-factor Identification device with liveness detection
- Fast, robust, accurate and easy-to-use
- Uses any combination of appearance, voice, name, HID Prox/iClass/Bluetooth, MiFARE, Barcode/QR code, digital credentials or PIN
- AI-based, continuous learning and enrollment on-the-fly
- Learns what you look like on your first arrival and how you change over time
- Can also function as an intercom and video camera
- Fully integrated into BluSKY - The AI cloud-based access control and video platform
- One database to manage all credentials
- Proof of presence photo for every entry access attempt
- Available in five models: Mini, Keypad, Touchscreen, XL and XXL

Biometric Recognition



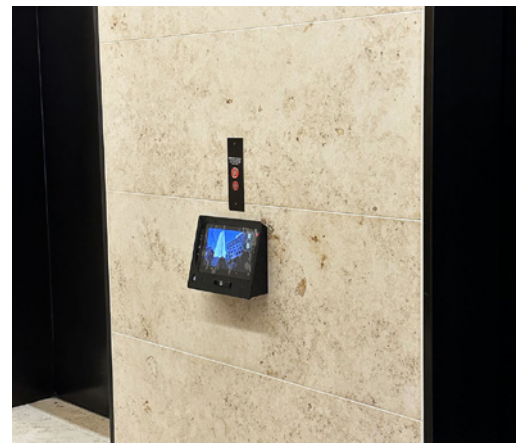
7 Classes of Recognition

- Color
- Size
- Appearance - greyscale
- Texture - greyscale
- Eye region
- Depth - appearance
- Depth - texture

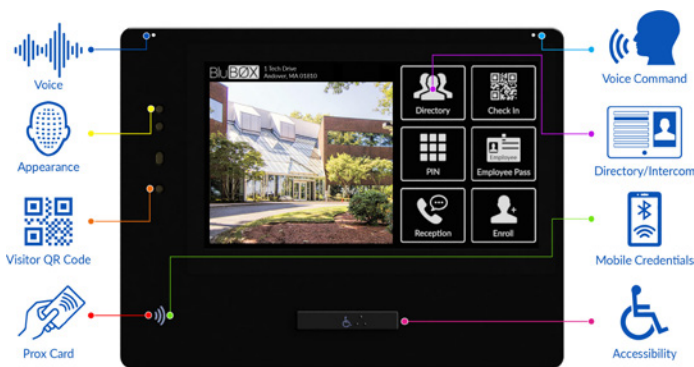
We will continue to add independent features because recognition should not be dependent on just one feature; as an example, people change each day and over time in the way they look- this allows for it to be more robust.

Applications

- Doors - convenience
- Reception doors - intercom, visitors, convenience
- Turnstiles - convenience, visitors, proof of the presence
- Elevators - DDE
- Airports - Proof of presence requirement
- Server rooms - higher security multi-factor
- Data center - higher security multi-factor
- Residential - intercom and convenience
- Hospitals - hands-free germ-free, convenience, security of prescription drugs
- Schools - visitors, vendors, student and parent identification
- Social services - proof of identity
- Gyms - membership proof of identity



One Reader, Multiple Credential Options



The Person Reader is ideal for doors, turnstiles, and elevators because it can read so many different credentials in one device. The Person Reader can identify a person based on their biometrics, name, card, Bluetooth credential, barcode or QR code, PIN, and cloud credential. This enables users to present the credential that is most convenient for them at the time and even do it in a hands-free way. It is also ideal for visitors and vendors enabling frictionless guest management using barcodes or QR codes, MiFARE cards, and Bluetooth mobile credentials. The Person Reader also eliminates having to try to fit multiple readers in a small area like a turnstile or elevator.

The Person Reader Family



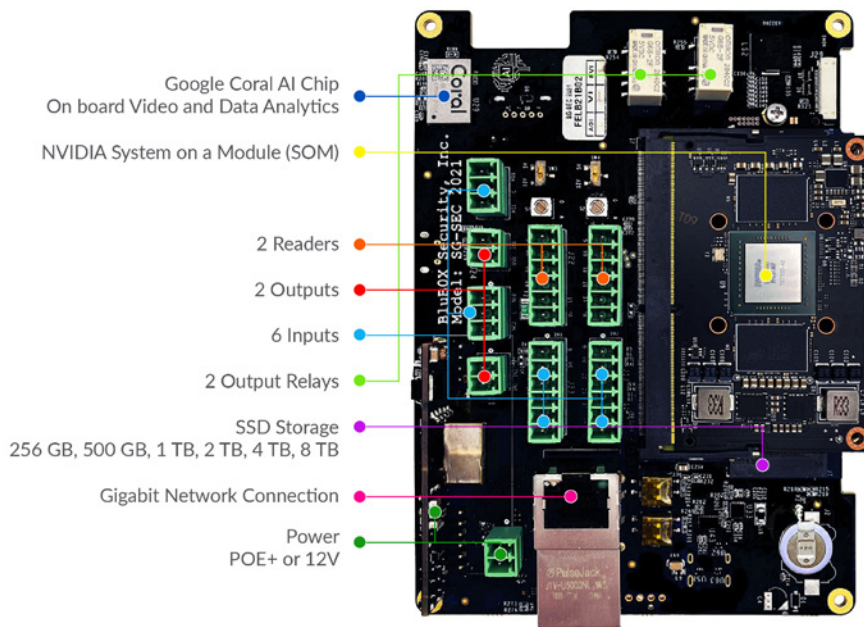
PR-2XLT3

PR-XLT3

PR-LT3

PR-M3

BluBOX AI Controller



- Cloud managed software and firmware
- Up to 16 cameras
- Up to 8 TB of storage
- 6 NVIDIA SOM's to choose from
- Built in video and data analytics
- License plate recognition
- Up to 4 readers, 4 inputs, 2 outputs
- Up to 16 SIP Intercoms
- Destination Dispatch Elevators
- Power Management
- Low voltage or POE+ powers entire board and locks
- Face, voice and name recognition
- BluBOX Bluetooth/NFC/HF, HID iCLASS®, HID Bluetooth, OSDP
- Open architecture
- Open API

Destination Dispatch Person Readers

- Multiple Credentials and Identification Methods – Face, Voice, Name, Card, Mobile, QR Code, PIN - HID Compatible
- Destination Dispatch Interface with Automatic Floor Assignment
- Self Learning Floor Assignment, Automatic Assignment and Override
- QR Code, Card or Mobile Credential Visitor Check In and DDE Assignment
- Mobile Phone Floor Selection and Elevator Car Assignment
- Intercom
- Face and Name Recognition Self Enrollment on the Fly
- Opt-In Biometrics – User Preference
- Anti-Spoof Detection
- ADA Compliant
- Speech Recognition and Commands
- 2 MP Camera and NVR



Person Reader Turnstile and Elevator Application



The Person Reader reads any type of credential and is integrated with the Destination Dispatch System automatically giving your assignment at the turnstile, or you can enter the floor you are going to at the turnstile turning wait time into walk time, improving the overall user experience.

- Eliminate Ghost Calls
- Improved DDE
- Integrates DDE and Access Control
- Multiple Credentials
- Deep Learning Neural Net Appearance Recognition

Specifications

Person Reader (Sensor)

- **Enclosure material**
 - ABS Plastic
- **DC Input Voltage Supported**
 - 12 V DC (2.5A)
- **Wiegand Interface**
 - 2 x Header Connectors
 - 1 x Wiegand Output (5-12V)
 - 1 x Wiegand Input (5-12V)
 - 1 x Extension Header
 - 1 x Wiegand Output (5-12V)
 - 1 x Wiegand Input (5-12V)
- **USB 3.0 OTG**
- **HDMI**
- **RGB LEDs**
 - Top Bar (4)
 - Camera (4)
- **Stereo Microphones**
 - 2 x 80.00 dB
- **Stereo Speakers**
 - 2 x 57 dB
- **RF Technologies**
 - Prox Interface (125kHz)
 - HID Prox, Indala Prox
 - HF Interface (13.56MHz)
 - ISO/IEC14443 ISO/IEC14443 Type A&B up to 848kbps, MIFARE Classic, MIFARE DESFire, HID Seos ISO/IEC15693 HID iCLASS ISO/IEC15693 mode FeliCa CSN only
- **BLE Interface (2.44GHz)**
 - BLE For HID Mobile Access applications
- **Camera 3D Active Technology**
 - Color Resolution 1080p
 - Depth Resolution VGA
 - Infrared Resolution VGA
- **Biometrics**
 - Multi-modal biometrics (Color & Depth channels)
 - Color
 - Color Texture
 - Size
 - Depth
 - Depth Texture
 - Enrollment on-board (Max 10000 Users).
 - Recognition 1-N and 1-1 on-board.
 - Training on-board.

Dimensions

- **Person Reader Processing Unit**
 - 4" x 4" x 1.75"
- **Person Reader Keypad**
 - 12 Keys mechanical keypad
 - 8.9" x 2.7" x 1.5"
- **Person Reader Touch**
 - 9" LCD Touchscreen
 - 6"W x 2"D
- **Person Reader Touch XL**
 - 13" LCD Touchscreen
 - 9.25" x 2"D

Person Reader Touch XXL

- 13.6" LCD Touchscreen
- 10.7" x 16" X 2"

Person Reader (NUC5i3RYK)

- **Intel® NUC Kit with 5th Generation Intel® Core™ Processors**
- **Dimensions**
 - 4.5" x 4.5" x 1.5"
- **DC Input Voltage Supported**
 - 12-19 VDC
- **Processor Included**
 - Intel® Core™ i3-5010U Processor (3M Cache, 2.10 GHz)
- **Memory & Storage**
 - 16 GB
- **Memory Types**
 - DDR3L-1333/1600 1.35V SO-DIMM
- **Processor Graphics**
- **Integrated Graphics**
- **Graphics Output**
 - Mini-DP 1.2; Mini-HDMI 1.4a
- **I/O Specifications**
 - # of USB Ports
 - 4
 - USB Configuration
 - 2x front and 2x rear USB 3.0; 2x USB 2.0 via internal headers
 - USB Revision
 - 2.0, 3.0
- **Audio (back channel + front channel)**
 - 7.1 digital (mHDMI mDP); L+R+mic (F)
- **Integrated LAN**
 - 10/100/1000
- **Integrated Wireless†**
 - Intel® Wireless-AC 7265 + Bluetooth 4.2
- **Integrated Bluetooth**
 - Yes
- **Infrared Rx Sensor**
 - Yes
- **Advanced Technologies**
 - Intel® Virtualization Technology for Directed I/O (VT-d)
 - Intel® HD Audio Technology
 - Intel® Rapid Storage Technology
 - Intel® Virtualization Technology (VT-x)
 - Intel® Platform Trust Technology (Intel® PTT)
 - Intel® AES New Instructions

Additional Specifications

- **Operating conditions**
 - 0 °C to 65 °C (32 °F to 149 °F)
 - Humidity 0-90% (non-condensing)
- **Operating environment**
 - Indoor only

Mounting

- Single Electrical Gang Box – Metal Back Plate

BluBØX: Security Re-Imagined

www.blub0x.com

[e. info@blub0x.com](mailto:info@blub0x.com)

[p. \(844\) 425-8209](tel:(844)425-8209)

FOLLOW US ON   

BluBØX Security, Inc. is a manufacturer and service provider of web-cloud based physical security products. Its BluSKY service delivers enterprise class unified access control, alarm management, video surveillance, biometrics and visitor management on any device, anywhere, any time. Its BluCHIP open hardware platform provides industry standard components and a proprietary line of fully integrated multi-factor, multi-biometric Person Readers.