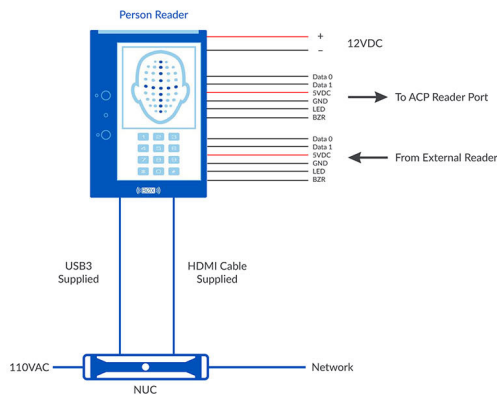


Person Reader V3 Wiring



Person Reader V3 Wiring

1 NUC power port. Original power supply must be used for proper performance

2 HDMI cable connection, between PR and the NUC

3 USB 3.0 cable connection, between PR and the NUC

4 Network connection

1 NUC Power Supply
This power supply must be used to power the NUC

Person Reader L3 Wiring

1 Must be set to 12V (Down)

2 Must be set to "W" for Wiegand

3 Reader Inputs
* GND
* D0
* D1
* Buzzer
* Led
* V+

4 Reader Outputs
* GND
* D0
* D1
* Buzzer
* Led
* V+

5 Power
* 12V
* GND